



HTB VI (Code 1574)

HEAD Torso Box for mobile artificial head measurements, expandable for various hardware configurations

Overview

The HEAD Torso Box is a housing resembling the shape of a human torso. This allows to configure an artificial head as well as 19" devices to a customized, mobile measurement system tailored to the customer's requirements.

An artificial head can be mounted easily without much effort. The additional measurement devices can be fastened just as quickly and conveniently, so that the complete measuring system is housed safely, but easily accessible.

Features

- Universal HEAD Torso Box for mobile or stationary measurements with an artificial head and additional measurement devices
- Easy mounting of the artificial head
- Convenient mounting options, high stability and safety for 19" devices and HEADlab systems
- Seat belt fastener and slightly curved rear cover for optimal use in the interior of vehicles
- Carrying handles on both sides
- Removable front cover (magnetic mounting)
- Fold-out pivot arm at the back of the Torso Box for stabilizing the measurement system
- 3/8" thread at the bottom of the HTB VI for variable height adjustment using the tripod HMT III

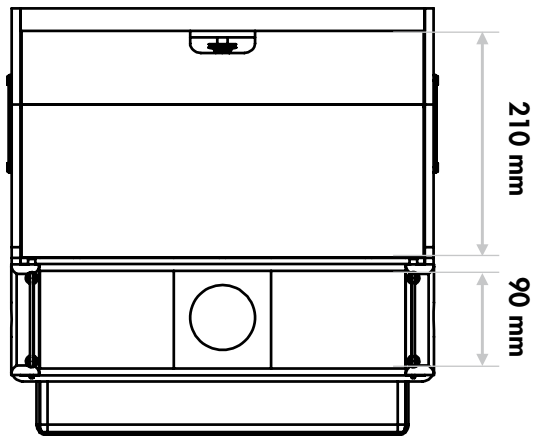
Scope of Supply

- HTB VI (Code 1574)
HEAD Torso Box

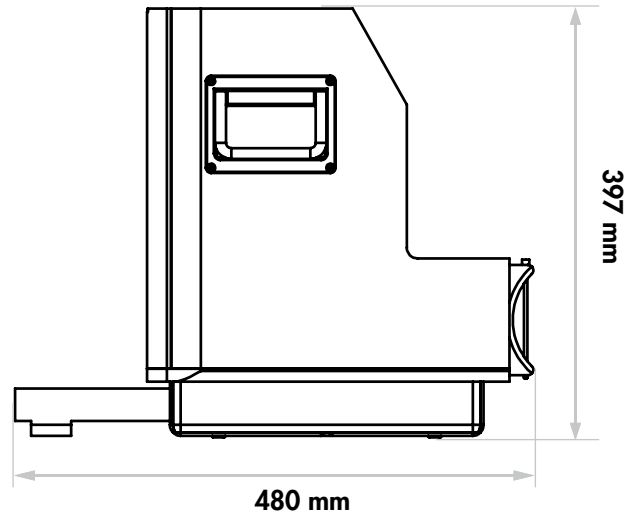
Accessories (not included)

- Mounting of HEADlab systems
 - labMA-a Code (3760)
HEADlab mount adapter, active
 - labMA-p (Code 3761)
HEADlab mount adapter, passive
 - HMT III (Code 1961)
Height-adjustable tripod

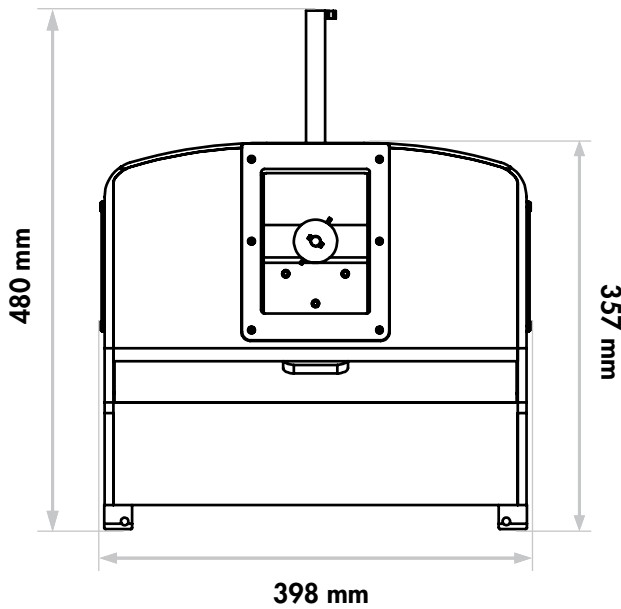
Dimensions



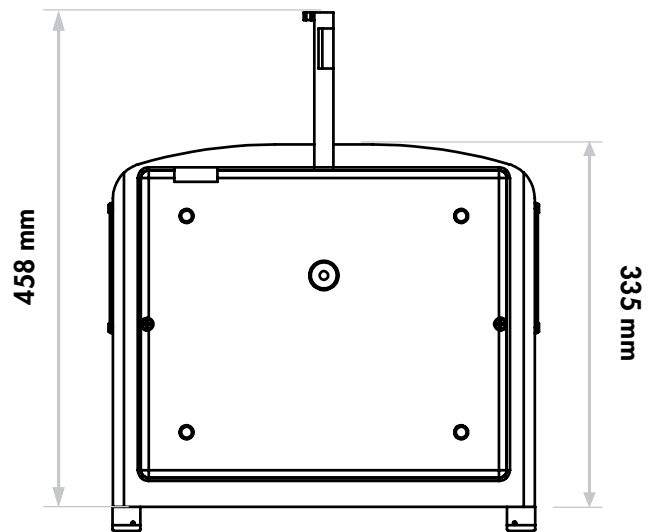
Front



Right



Top



Bottom

Technical Data

Dimensions (incl. seat belt fastener):	398 x 397 x 357 mm (WxHxD) (15.66" x 15.62" x 14.1")
with unfolded pivot arm:	398 x 397 x 480 mm (WxHxD) (15.66" x 15.62" x 18.9")
Weight:	7.8 kg (17.2 lb)